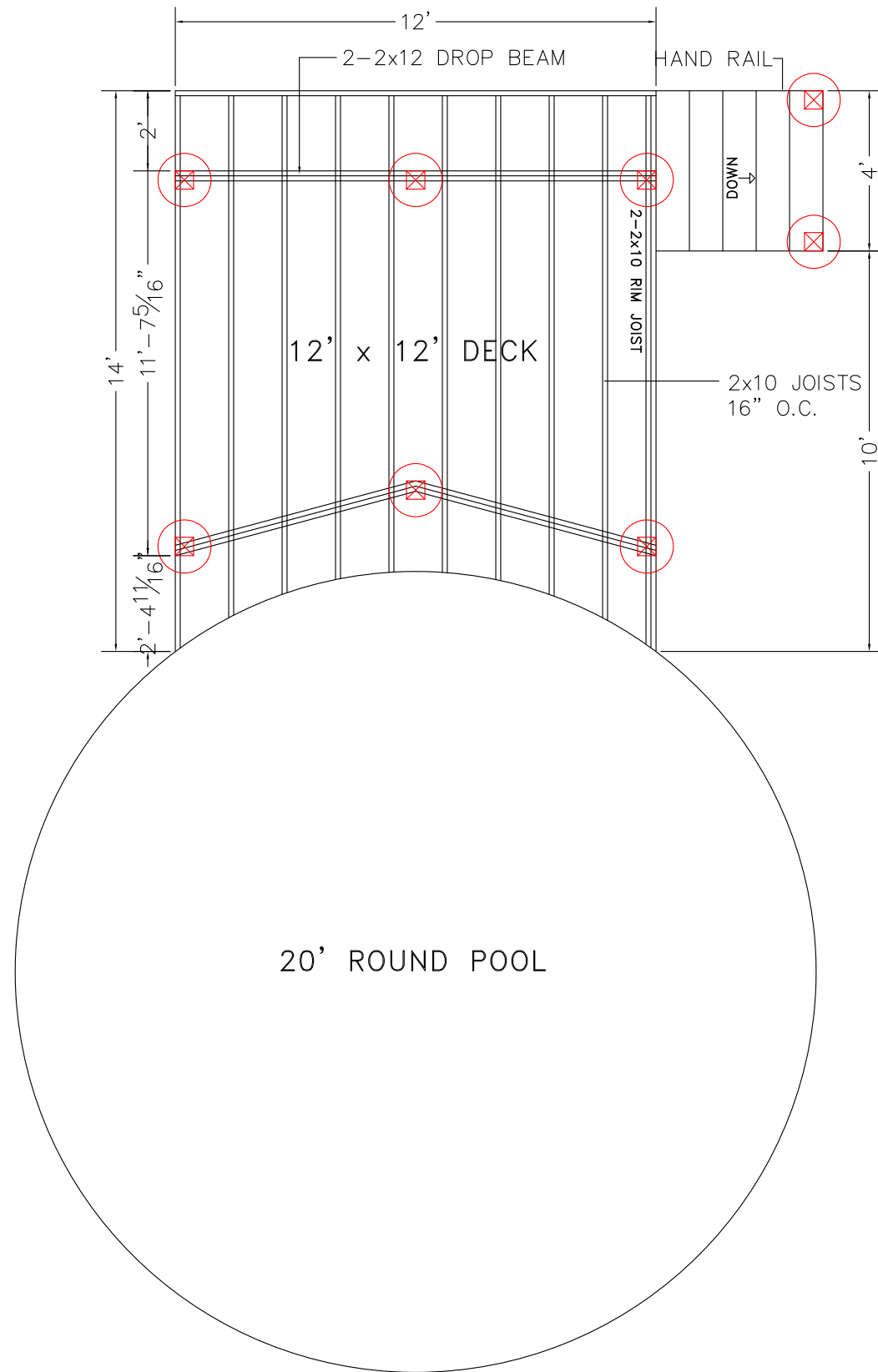



11 x 17 PAGE SIZE FORMAT  
 1/4" = 1' SCALE  
 4' ELEVATION

BASED ON THE INTERNATIONAL RESIDENTIAL CODE



JOISTS TO BE 2x10 SYP TREATED INSTALLED 16" O.C.  
 BEAMS TO BE 2-2x12 SYP TREATED NAILED  
 SUPPORT POSTS TO BE 6x6 TREATED  
 DECKING TO BE 5/4 x 6  
 GUARD RAILS TO BE 36" HIGH WITH LESS THAN 4" OPENINGS PER IRC CODE  
 ALL DECK HARDWARE TO BE CORROSION RESISTANT AND INSTALLED  
 PER MANUFACTURERS INSTRUCTIONS  
 STAIRS TO BE BUILT MAX 7-3/4" RISE 10" MIN RUN PER IRC CODE

	16" DIAMETER FOOTING 10" THICK CONCRETE 36" DEEP	FROST FOOTINGS SIZES BASED ON 55 LB PER SQUARE FOOT TRIBUTARY LOADS APPLIED TO 1500 PSF SOIL COMPRESSION CAPACITY
---	--	---

ALWAYS OBTAIN REQUIRED PERMITS AND FOLLOW LOCAL BUILDING CODES.

NAME:

ADDRESS:

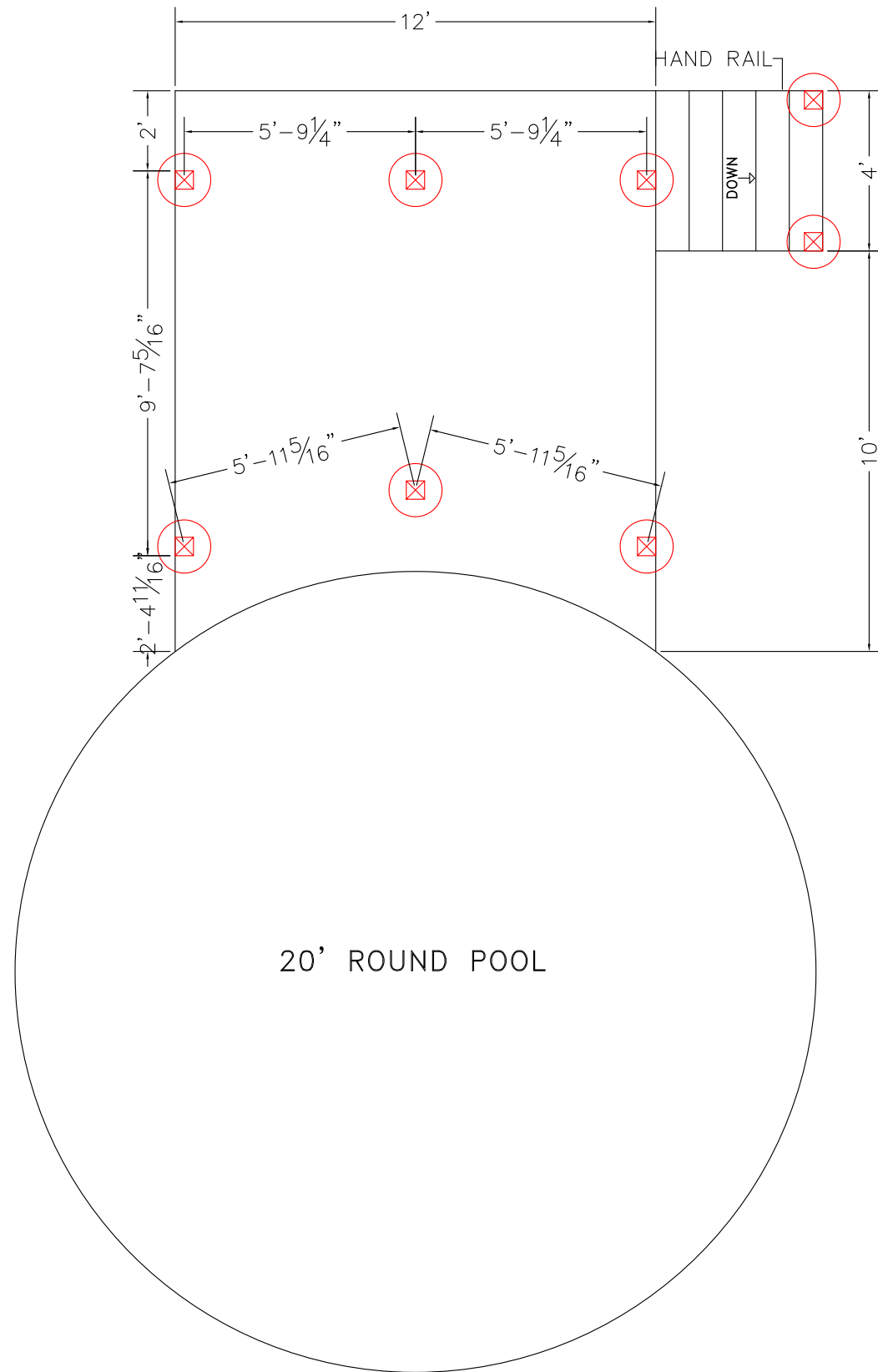
[ProDeckPlans.com](http://ProDeckPlans.com)

1

FRAMING PLAN

11 x 17 PAGE SIZE FORMAT  
 1/4" = 1' SCALE  
 4' ELEVATION

BASED ON THE INTERNATIONAL RESIDENTIAL CODE



JOISTS TO BE 2x10 SYP TREATED INSTALLED 16" O.C.  
 BEAMS TO BE 2-2x12 SYP TREATED NAILED  
 SUPPORT POSTS TO BE 6x6 TREATED  
 DECKING TO BE 5/4 x 6  
 GUARD RAILS TO BE 36" HIGH WITH LESS THAN 4" OPENINGS PER IRC CODE  
 ALL DECK HARDWARE TO BE CORROSION RESISTANT AND INSTALLED  
 PER MANUFACTURERS INSTRUCTIONS  
 STAIRS TO BE BUILT MAX 7-3/4" RISE 10" MIN RUN PER IRC CODE

	16" DIAMETER FOOTING 10" THICK CONCRETE 36" DEEP	FROST FOOTINGS SIZES BASED ON 55 LB PER SQUARE FOOT TRIBUTARY LOADS APPLIED TO 1500 PSF SOIL COMPRESSION CAPACITY
--	--	---

ALWAYS OBTAIN REQUIRED PERMITS AND FOLLOW LOCAL BUILDING CODES.

NAME:

ADDRESS:

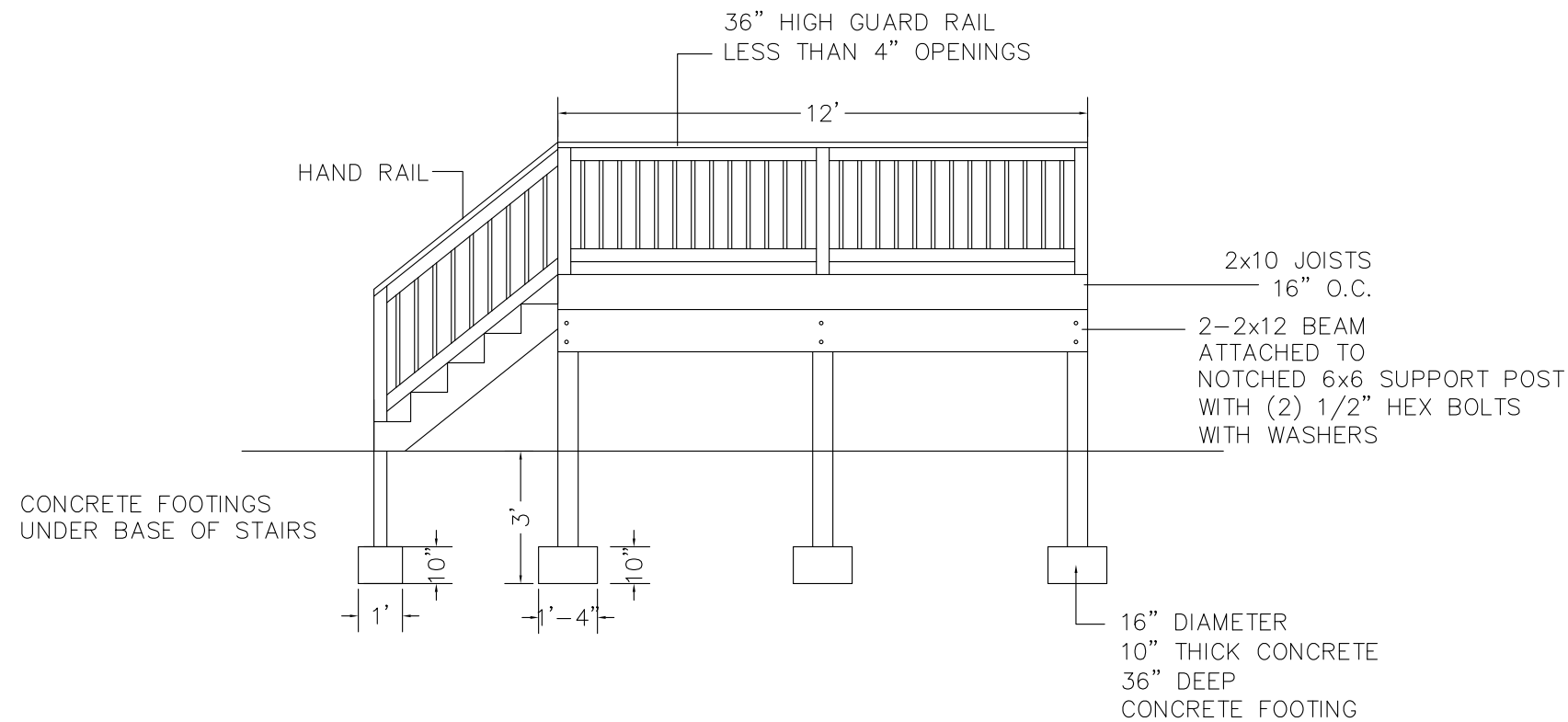
[ProDeckPlans.com](http://ProDeckPlans.com)

FOOTING PLAN


2

11 x 17 PAGE SIZE FORMAT  
 1/4" = 1' SCALE  
 4' ELEVATION

BASED ON THE INTERNATIONAL RESIDENTIAL CODE



JOISTS TO BE 2x10 SYP TREATED INSTALLED 16" O.C.  
 BEAMS TO BE 2-2x12 SYP TREATED NAILED  
 SUPPORT POSTS TO BE 6x6 TREATED  
 DECKING TO BE 5/4 x 6  
 GUARD RAILS TO BE 36" HIGH WITH LESS THAN 4" OPENINGS PER IRC CODE  
 ALL DECK HARDWARE TO BE CORROSION RESISTANT AND INSTALLED  
 PER MANUFACTURERS INSTRUCTIONS  
 STAIRS TO BE BUILT MAX 7-3/4" RISE 10" MIN RUN PER IRC CODE

	<p>16" DIAMETER FOOTING          10" THICK CONCRETE          36" DEEP</p>	<p>FROST FOOTINGS SIZES BASED          ON 55 LB PER SQUARE FOOT          TRIBUTARY LOADS APPLIED TO          1500 PSF SOIL COMPRESSION          CAPACITY</p>
---	---	--

ALWAYS OBTAIN REQUIRED PERMITS AND FOLLOW LOCAL BUILDING CODES.

NAME:

ADDRESS:

[ProDeckPlans.com](http://ProDeckPlans.com)

FRONT ELEVATION

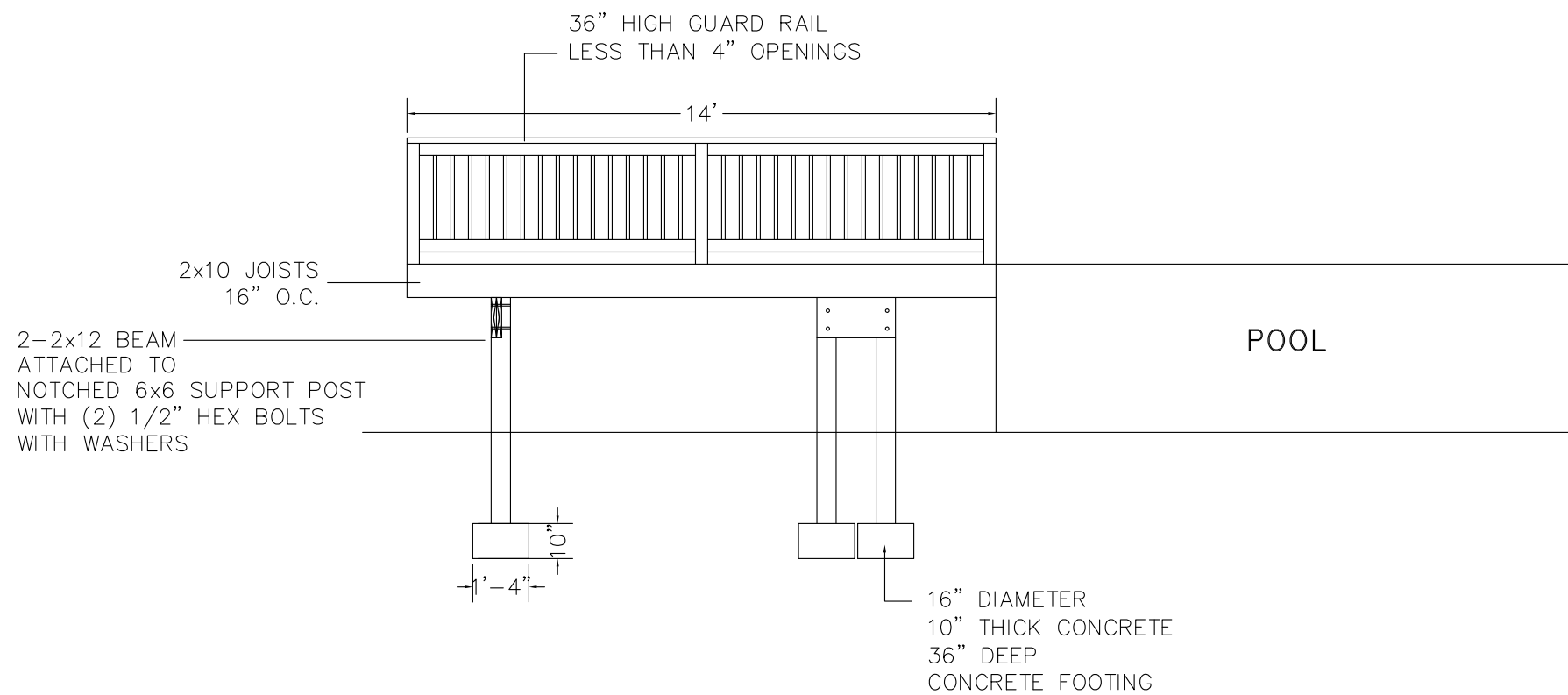
3

11 x 17 PAGE SIZE FORMAT


1/4" = 1' SCALE

4' ELEVATION

BASED ON THE INTERNATIONAL RESIDENTIAL CODE



JOISTS TO BE 2x10 SYP TREATED INSTALLED 16" O.C.  
 BEAMS TO BE 2-2x12 SYP TREATED NAILED  
 SUPPORT POSTS TO BE 6x6 TREATED  
 DECKING TO BE 5/4 x 6  
 GUARD RAILS TO BE 36" HIGH WITH LESS THAN 4" OPENINGS PER IRC CODE  
 ALL DECK HARDWARE TO BE CORROSION RESISTANT AND INSTALLED  
 PER MANUFACTURERS INSTRUCTIONS  
 STAIRS TO BE BUILT MAX 7-3/4" RISE 10" MIN RUN PER IRC CODE

	<p>16" DIAMETER FOOTING 10" THICK CONCRETE 36" DEEP</p>	<p>FROST FOOTINGS SIZES BASED ON 55 LB PER SQUARE FOOT TRIBUTARY LOADS APPLIED TO 1500 PSF SOIL COMPRESSION CAPACITY</p>
---	---	--

ALWAYS OBTAIN REQUIRED PERMITS AND FOLLOW LOCAL BUILDING CODES.

NAME:

ADDRESS:

[ProDeckPlans.com](http://ProDeckPlans.com)

SIDE ELEVATION

4