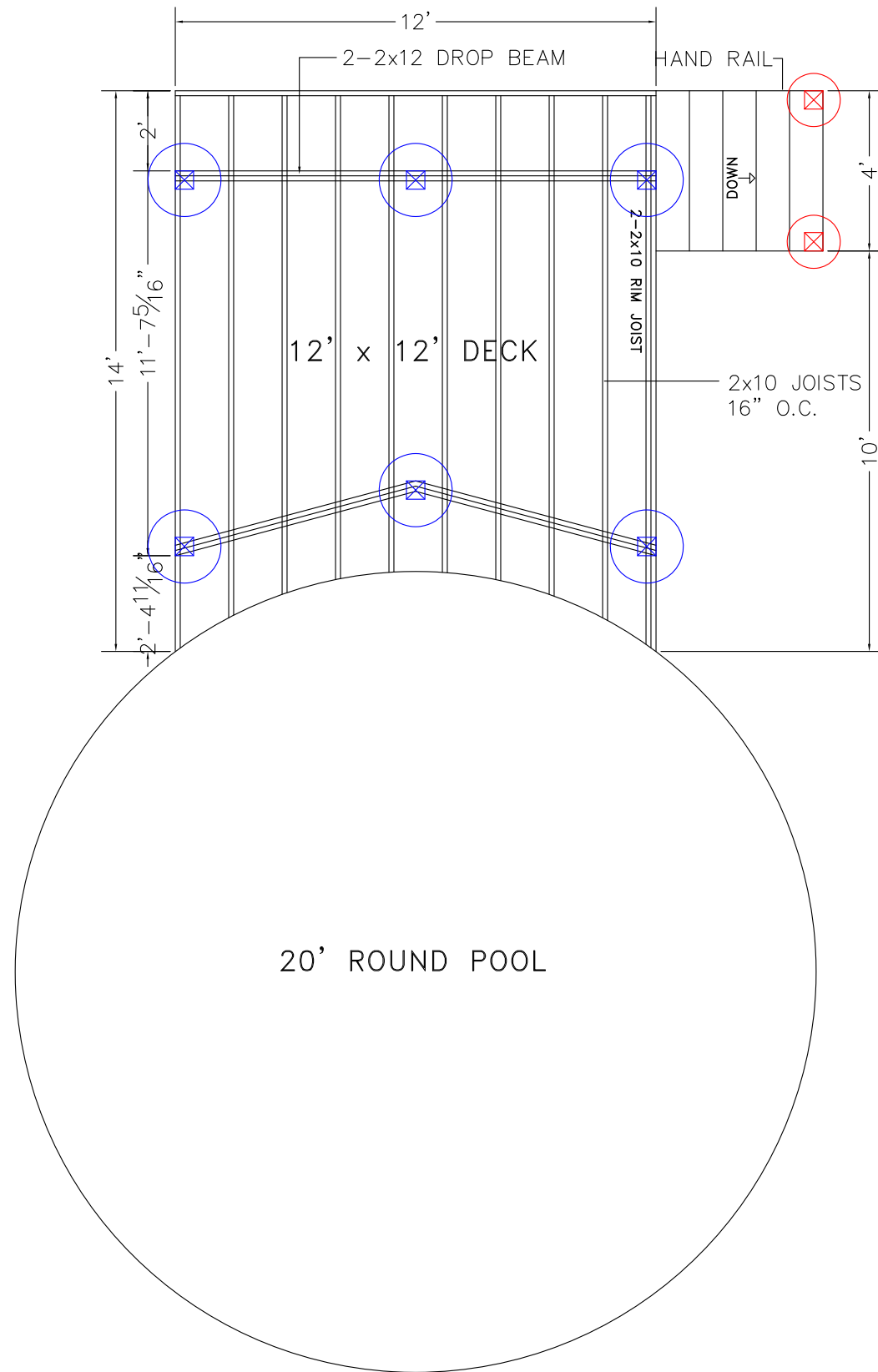


11 x 17 PAGE SIZE FORMAT
 1/4" = 1' SCALE
 4' ELEVATION

BASED ON THE INTERNATIONAL RESIDENTIAL CODE



JOISTS TO BE 2x10 SYP TREATED INSTALLED 16" O.C.
 BEAMS TO BE 2-2x12 SYP TREATED NAILED
 SUPPORT POSTS TO BE 6x6 TREATED
 DECKING TO BE 5/4 x 6
 GUARD RAILS TO BE 36" HIGH WITH LESS THAN 4" OPENINGS PER IRC CODE
 ALL DECK HARDWARE TO BE CORROSION RESISTANT AND INSTALLED
 PER MANUFACTURERS INSTRUCTIONS
 STAIRS TO BE BUILT MAX 7-3/4" RISE 10" MIN RUN PER IRC CODE

	20" DIAMETER FOOTING 10" THICK CONCRETE 30" DEEP	FROST FOOTINGS SIZES BASED ON 55 LB PER SQUARE FOOT TRIBUTARY LOADS APPLIED TO 1500 PSF SOIL COMPRESSION CAPACITY
	12" DIAMETER FOOTING 10" THICK CONCRETE 30" DEEP	

ALWAYS OBTAIN REQUIRED PERMITS AND FOLLOW LOCAL BUILDING CODES.

NAME:

ADDRESS:

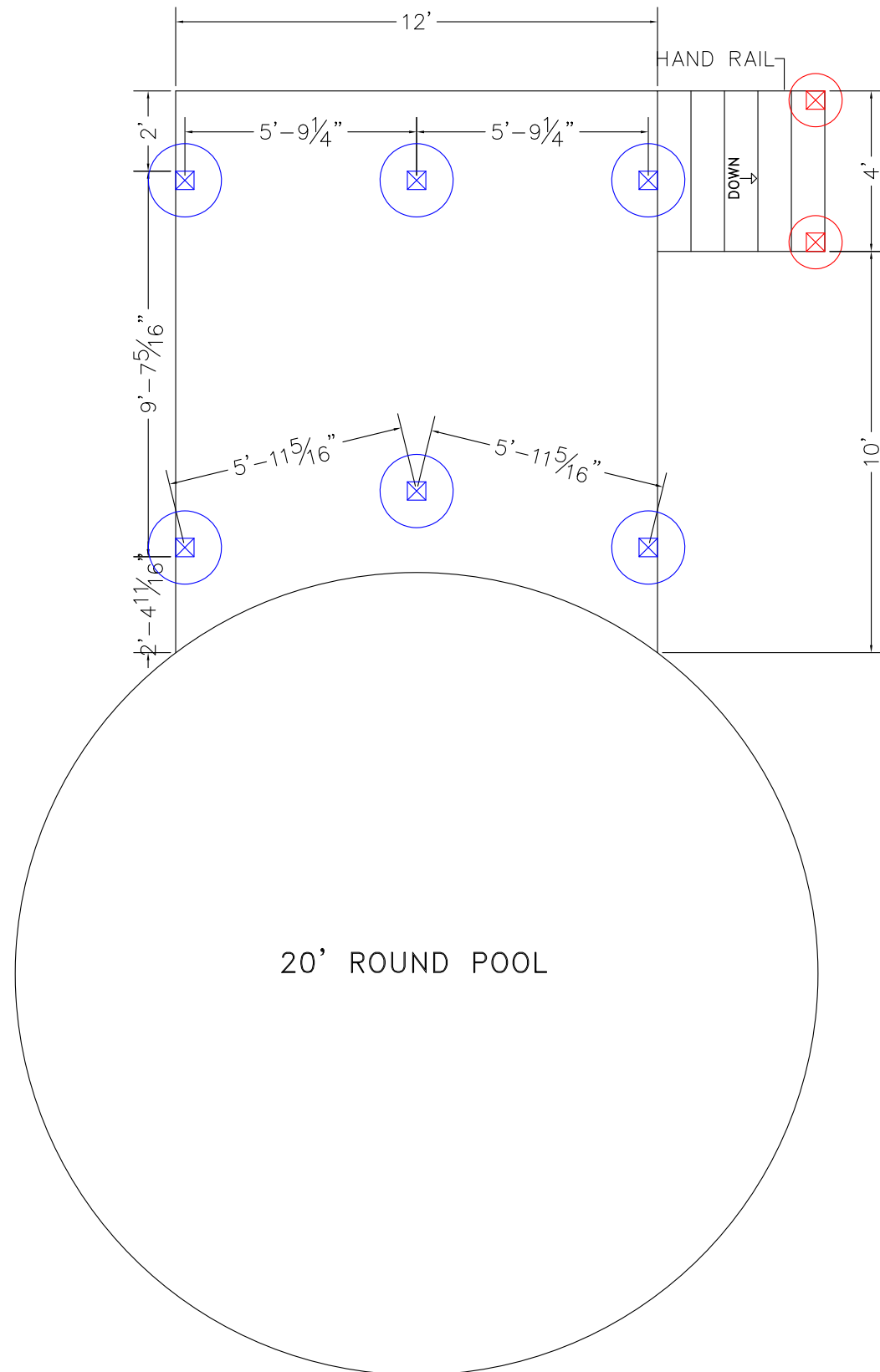
ProDeckPlans.com

FRAMING PLAN

1

11 x 17 PAGE SIZE FORMAT
 1/4" = 1' SCALE
 4' ELEVATION

BASED ON THE INTERNATIONAL RESIDENTIAL CODE



JOISTS TO BE 2x10 SYP TREATED INSTALLED 16" O.C.
 BEAMS TO BE 2-2x12 SYP TREATED NAILED
 SUPPORT POSTS TO BE 6x6 TREATED
 DECKING TO BE 5/4 x 6
 GUARD RAILS TO BE 36" HIGH WITH LESS THAN 4" OPENINGS PER IRC CODE
 ALL DECK HARDWARE TO BE CORROSION RESISTANT AND INSTALLED
 PER MANUFACTURERS INSTRUCTIONS
 STAIRS TO BE BUILT MAX 7-3/4" RISE 10" MIN RUN PER IRC CODE

	20" DIAMETER FOOTING 10" THICK CONCRETE 30" DEEP	FROST FOOTINGS SIZES BASED ON 55 LB PER SQUARE FOOT TRIBUTARY LOADS APPLIED TO 1500 PSF SOIL COMPRESSION CAPACITY
	12" DIAMETER FOOTING 10" THICK CONCRETE 30" DEEP	

ALWAYS OBTAIN REQUIRED PERMITS AND FOLLOW LOCAL BUILDING CODES.

NAME:
 ADDRESS:

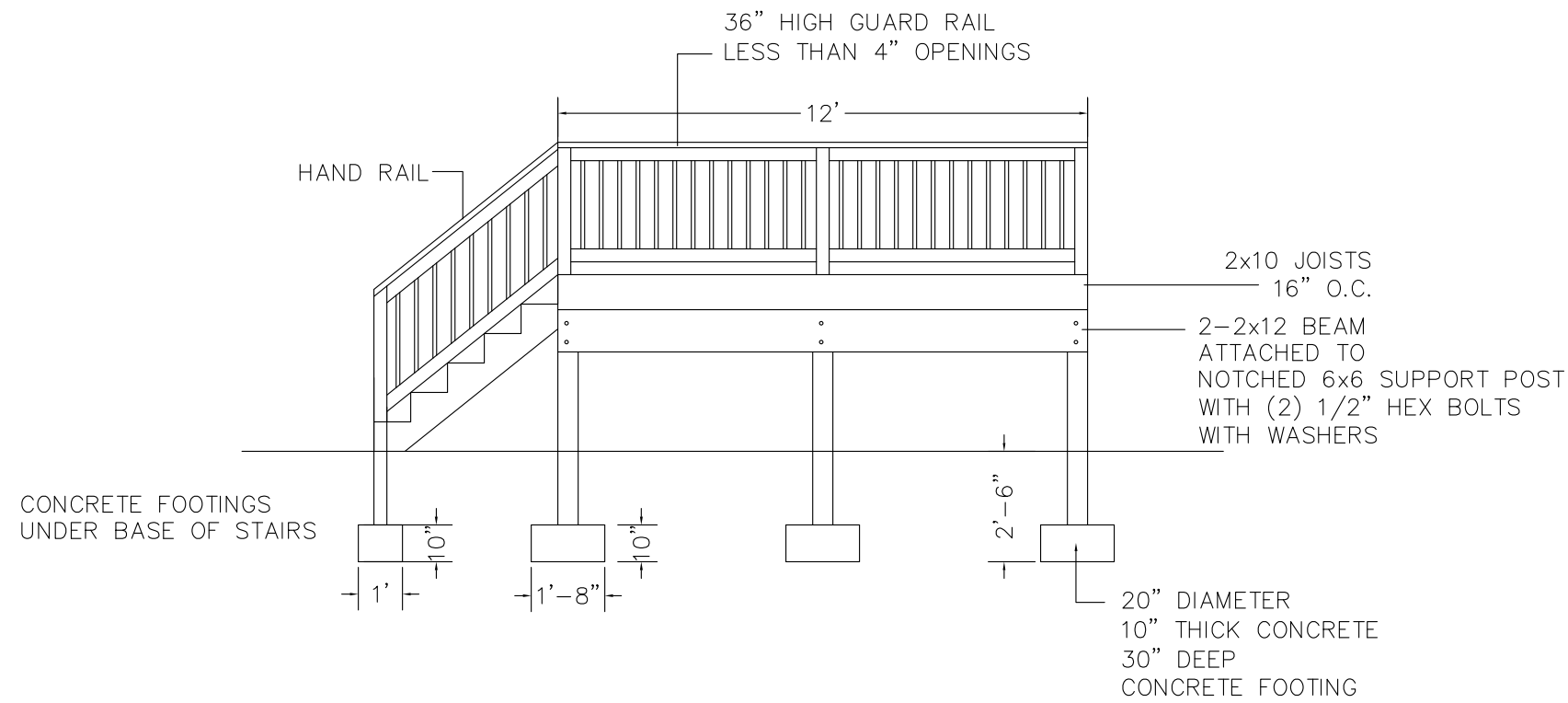
ProDeckPlans.com

FOOTING PLAN

2

11 x 17 PAGE SIZE FORMAT
 1/4" = 1' SCALE
 4' ELEVATION

BASED ON THE INTERNATIONAL RESIDENTIAL CODE



JOISTS TO BE 2x10 SYP TREATED INSTALLED 16" O.C.
 BEAMS TO BE 2-2x12 SYP TREATED NAILED
 SUPPORT POSTS TO BE 6x6 TREATED
 DECKING TO BE 5/4 x 6
 GUARD RAILS TO BE 36" HIGH WITH LESS THAN 4" OPENINGS PER IRC CODE
 ALL DECK HARDWARE TO BE CORROSION RESISTANT AND INSTALLED
 PER MANUFACTURERS INSTRUCTIONS
 STAIRS TO BE BUILT MAX 7-3/4" RISE 10" MIN RUN PER IRC CODE

	20" DIAMETER FOOTING 10" THICK CONCRETE 30" DEEP	FROST FOOTINGS SIZES BASED ON 55 LB PER SQUARE FOOT TRIBUTARY LOADS APPLIED TO 1500 PSF SOIL COMPRESSION CAPACITY
	12" DIAMETER FOOTING 10" THICK CONCRETE 30" DEEP	

ALWAYS OBTAIN REQUIRED PERMITS AND FOLLOW LOCAL BUILDING CODES.

NAME:

ADDRESS:

ProDeckPlans.com

FRONT ELEVATION

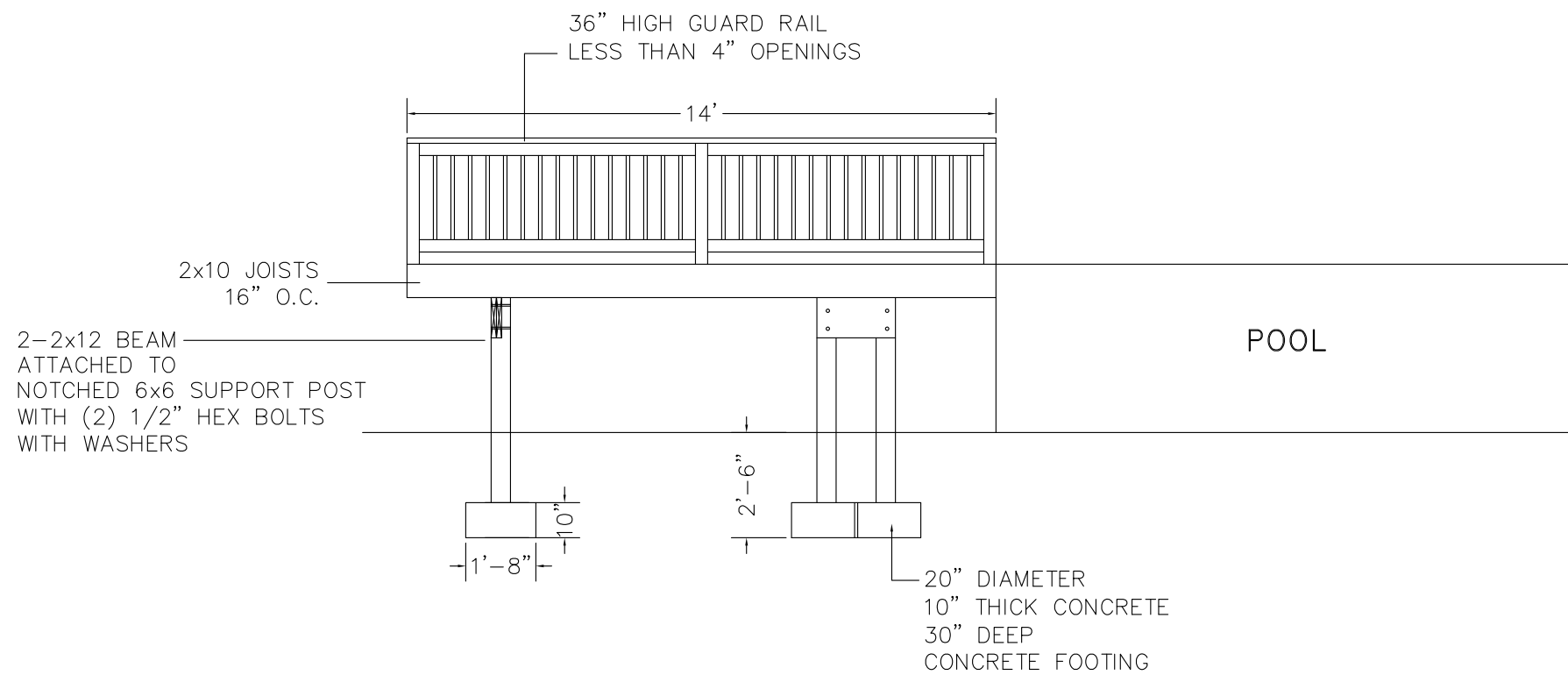
3

11 x 17 PAGE SIZE FORMAT



1/4" = 1' SCALE

4' ELEVATION

BASED ON THE INTERNATIONAL RESIDENTIAL CODE



JOISTS TO BE 2x10 SYP TREATED INSTALLED 16" O.C.
 BEAMS TO BE 2-2x12 SYP TREATED NAILED
 SUPPORT POSTS TO BE 6x6 TREATED
 DECKING TO BE 5/4 x 6
 GUARD RAILS TO BE 36" HIGH WITH LESS THAN 4" OPENINGS PER IRC CODE
 ALL DECK HARDWARE TO BE CORROSION RESISTANT AND INSTALLED
 PER MANUFACTURERS INSTRUCTIONS
 STAIRS TO BE BUILT MAX 7-3/4" RISE 10" MIN RUN PER IRC CODE

	20" DIAMETER FOOTING 10" THICK CONCRETE 30" DEEP	FROST FOOTINGS SIZES BASED ON 55 LB PER SQUARE FOOT TRIBUTARY LOADS APPLIED TO 1500 PSF SOIL COMPRESSION CAPACITY
	12" DIAMETER FOOTING 10" THICK CONCRETE 30" DEEP	

ALWAYS OBTAIN REQUIRED PERMITS AND FOLLOW LOCAL BUILDING CODES.

NAME:

ADDRESS:

ProDeckPlans.com

SIDE ELEVATION

4